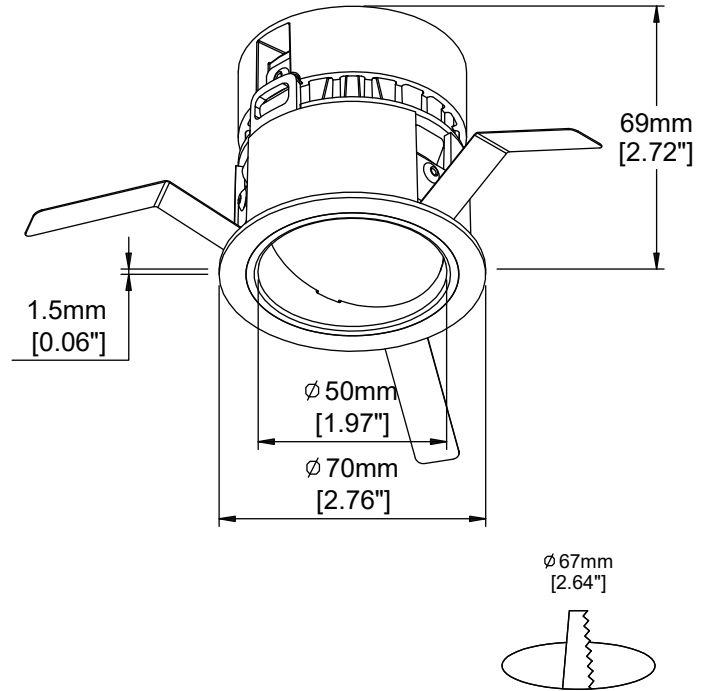


Specification sheet

REV.2

Lithe 55 Wall Wash, Colour Round

1.9" Architectural Wall Wash



Description

Lithe 55 WW is a 1.9 inch (46 mm) aperture recessed wallwasher that delivers up to 400 lm. Compact construction (less than 2.8 inch, 70 mm) enables installation in limited ceiling space. Taking advantage of the latest micro-structure films, this luminaire delivers an uniform lighting toward the wall providing an elegant wall wash solution.

Features

LED	Lumileds Luxeon M LED Array
Color temperature	2700K/ 3000K/ 3500K/ 4000K
Optics	Wide 40°
Trim Finishes	Black / White
Ceiling Cutout	Ø 67mm [2.64"]

Performance

Delivered output	Up to 500 lm (80+ CRI) Up to 400 lm (90+ CRI)
Power consumption	Up to 8 W
Color rendering	90+ CRI (80 CRI+ optional)
Color consistency	3 SDCM
CBCP	Wide 393cd

Electrical and Control

Input voltage	See the ordering code
Control	TRIAC/ELV or 0-10V dimming
Feature	Overload & short circuit protection

Construction

Material	Machining grade Aluminum
Trim shape	Round
Lens	Interchangeable TIR optics

Rating/ Certification/ Warranty

- Dry and damp Locations
- RoHS compliant
- 5 years/ L70 50,000 hrs warranty
- UL Listed

Ordering Code Information

PRODUCT	TRIM STYLE	LUMEN	COLOR TEMPERATURE	FINISH	BEAM ANGLE	COLOR RENDERING
LTE55 WW	R	06	27	WH	W	9
Lithe55 Wallwash	R Round S square	06 600lm	27 (2700K) 30 (3000K) 35 (3500K) 40 (4000K)	WH(White) WHBK(White/Black)	W (Wide)/40deg.	8 (80+ CRI) 9 (90+ CRI)

Photometrics

MULTIPLYING FACTORS: (Multiplying Factor is based on 3000K-90+CRI IES file on website)

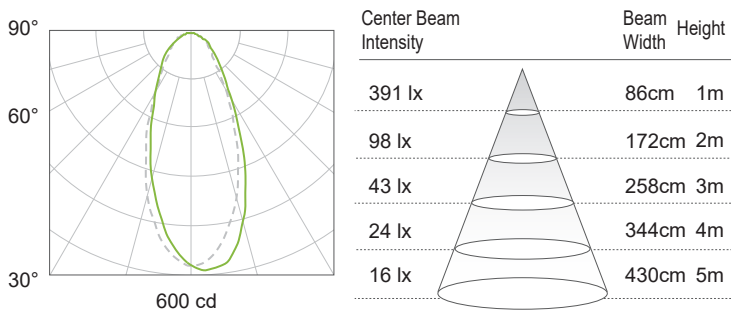
CCT	2700K-80+	3000K-80+	3500K-80+	4000K-80+
Factors	1.12	1.2	1.22	1.27

CCT	2700K-90+	3000K-90+
Factors	0.94	1.0

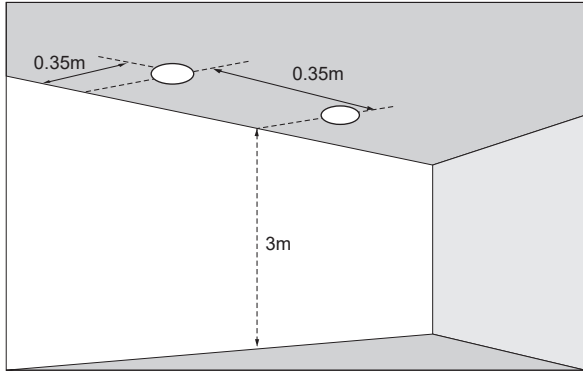
8W | 90CRI | 3000K

Wide 40°

Delivered Ourput : 378 lm | CBCP : 393 cd | Beam Angle : 45°

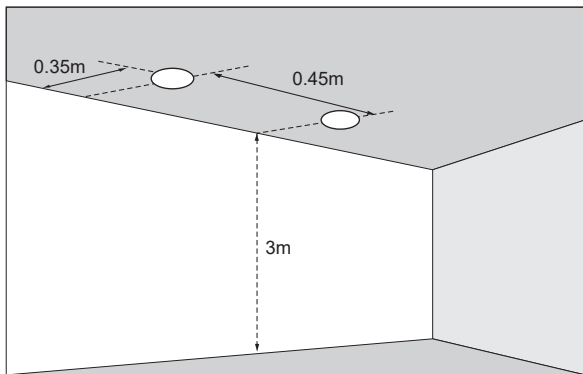


Lith 55 RD Wall Wash(80CRI)



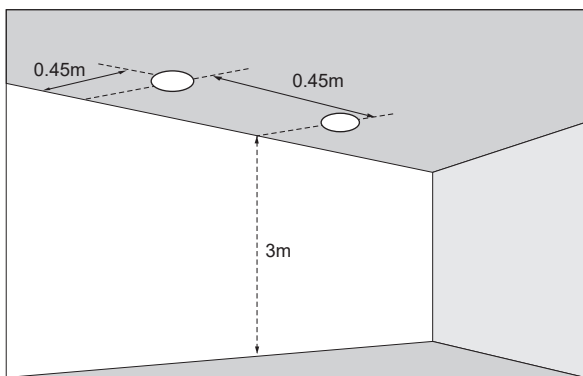
Multiple unit data

Lux on wall	0.35 from wall - 0.35 on center (m) point spacing 0.175m		
0.3	77	88	77
0.6	200	222	200
0.9	160	175	160
1.2	109	112	109
1.5	64	68	64
1.8	40	42	40
2.1	26	28	26
2.4	18	19	18
3.7	13	13	13
3.0	10	10	10



Multiple unit data

Lux on wall	0.35 from wall - 0.45 on center (m) point spacing 0.225m		
0.3	67	76	67
0.6	180	200	180
0.9	143	160	143
1.2	95	105	95
1.5	60	65	60
1.8	38	41	38
2.1	25	27	25
2.4	18	18	18
3.7	13	13	13
3.0	10	10	10



Multiple unit data

Lux on wall	0.45 from wall - 0.45 on center (m) point spacing 0.225m		
0.3	40	43	40
0.6	130	146	130
0.9	112	124	112
1.2	90	97	90
1.5	62	68	62
1.8	43	46	43
2.1	30	31	30
2.4	21	22	21
3.7	15	16	15
3.0	12	12	12